

Electric Pilot Devices

Joysticks



Contents**Page**

1	Overview electric pilot devices	5
<hr/>		
2	Joystick analogue FGE type 1	6
2.1	Description	6
2.2	Technical data	6
2.3	Dimensions	7
2.4	Order informations	7
<hr/>		
3	Joystick FSE-DP2-02/JG0-M4-02	8
3.1	Description	8
3.2	Technical data	8
3.3	Dimensions	9
3.4	Order informations	9
3.5	Connection diagram	9
3.6	Pin assignment	9
3.7	Parametrization	11
<hr/>		
4	Joystick digital FCE-...	12
4.1	Joystick digital FCE type 1	12
4.2	Joystick digital FCE type 2	14
4.3	Joystick digital FCE - Typ 3	16

1 Overview electric pilot devices

Product	SAE J1939 CANopen	Switches	Thumbwheels	Axes
Joystick analogue FGE type 1				see Chapter 2
	-	1	0	2
Joystick FSE-DP2-02/JG0-M4-02				see Chapter 3
	-	5	0	2
Joystick FCE type 1				see Chapter 4.1
	X	up to 5	3	5
Joystick FCE type 2				see Chapter 4.2
	X	up to 5	1	up to 3
Joystick FCE type 3				see chapter 4.3
	X	up to 5	up to 2	up to 4

2 Joystick analogue FGE type 1



- Spring centered
- Robust and compact design
- Reverse voltage protected

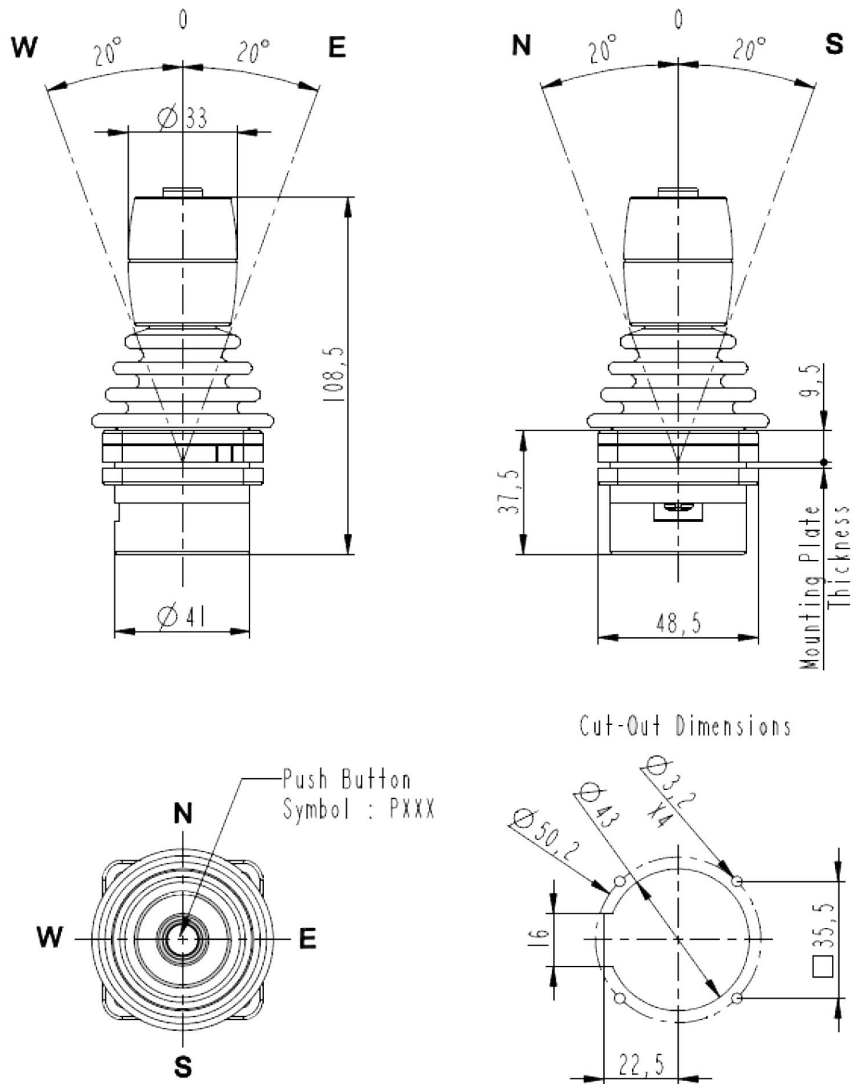
2.1 Description

The FGE type 1 joystick is an analogue operating lever for 2 axes. He is compact and robust. The handgrip is spring-centered.

2.2 Technical data

General characteristics	Unit	Value
Supply voltage	V DC	8...32 (for $U_N = 9\text{ V}$)
Temperature range	°C	-40...+85
Enclosure protection		IP 65
Weight	kg	1
Actuation angle	°	± 20
Plug connection	Hirose Conn Header 12 Pos (DF1112DS2C(05))	

2.3 Dimensions



2.4 Order informations

Description	Type	Ordering code
Joystick for 2 axes, without shifting gate, with 1 push button	FGE*-MT1T0XXXX	Assigned when the order is placed.

3 Joystick FSE-DP2-02/JG0-M4-02



- Fully on-board electronics
- USB interface for configuring the joystick
- Minimal installation space required
- Reliable zero position
- Hall sensor technology

3.1 Description

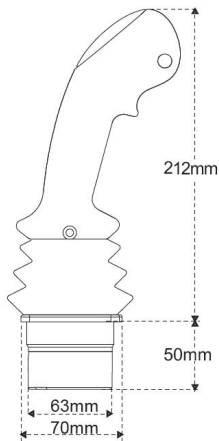
This rugged joystick has been designed for professional use in off-road, construction, agricultural and forestry machines as well as industrial materials-handling trucks. The electronics, which directly control two proportional direction-

nal valves by means of PWM, are fully integrated into the joystick. For operating On/Off-valves, 4 switches and a rocker are available.

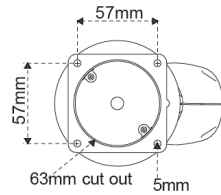
3.2 Technical data

Parameters	Min.	Type	Max.	Unit	Note
Electrical power supply					
Supply voltage	8	-	30	V DC	Reverse-polarity and overvoltage protection up to +/- 48 V DC
Current consumption (standby)	-	20	-	mA	
Current consumption (max.)	-	10	-	A	
PWM output					
Voltage, power output		V_{cc}			Short-circuit protected
Current, power output	0,3	-	2,5	A	
Dither frequency	33	200	400	Hz	
Ramp time	10	100	9999	ms	
Deadband setting	10	10	40	%	Defines the deflection range beyond which the outputs are switched on
Auxiliary output					
Voltage, auxiliary output		V_{cc}	-		For deflection in positive or negative X direction -> $V_{aux} = V_{cc}$
Current, auxiliary output	-	-	2,5	A	
Delay, auxiliary output	0	0	9	sec	
Toggle switch and rocker switch outputs					
Switching current			5	A	If the rocker switch and the the toggle switches on the keypad are used to directly control solenoids or relays, make sure that the solenoids or relays are equipped with suppression diodes.
max. switching operations, mech.			10 mio		
max. switching operations, elec.			2.5 mio		@ 0.5 A DC
General characteristics					
Plug connection	Sub-D 15-pin				
Enclosure protection	IP 65				
Operating temperature	-40	-	+80	°C	

3.3 Dimensions



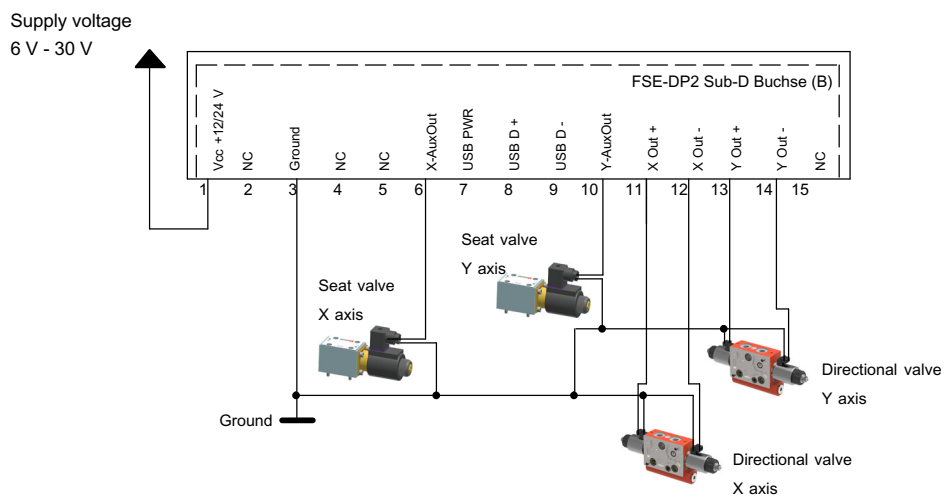
Mounting dimensions



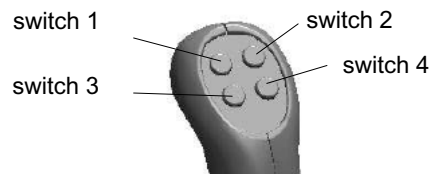
3.4 Order informations

Description	Type	Ordering code
Joystick without shifting gate, 4 front buttons, 1 rear button	FSE-DP2-02/JG0-M4-02	100034394

3.5 Connection diagram



3.6 Pin assignment



3.6.1 Plug A (male) switch functions

Pin	Function	Wire colour	Description
1	Common switch connection	red	Common connection for all switches. The total current must not exceed 5 A.
2	Trigger switch	orange	Trigger switch, front (max. 5 A)
3	Switch 1	green	Switch 1 (max. 5 A) (switch, top left)
4	NC	violet	-
5	NC	black	-
6	Switch 3	brown	Switch 3 (max. 5 A) (switch, bottom left)
7	NC	yellow	-
8	Switch 2	blue	Switch 2 (max. 5 A) (switch, top right)
9	NC	grey	-
10	Switch 4	white	Switch 4 (max. 5 A) (switch, bottom right)
11	NC	green/white	-
12	NC	pink	-
13	NC	brown/white	-
14	NC	black/white	-
15	NC	red/white	-

Note: If the rocker switch and the toggle switches on the keypad are used to directly control solenoids or relays, make sure that the solenoids or relays are equipped with suppression diodes.

3.6.2 Socket B (female) joystick functions

Pin	Function	Wire colour	Description
1	+12/24 V (sensor 1)	red	power supply 12 V or 24 V
2	+12/24 V (sensor 2 unused)	green	unused
3	Ground (sensor 1)	green/white	ground
4	Ground (sensor 2 unused)	black	unused
5	NC	white	unused
6	X Axis Aux Out	violet	auxiliary output, X axis
7	USB-PWR	brown	USB power supply (only needed for parameterisation)
8	USB-D+	brown/white	USB data line, positive (only needed for parameterisation)
9	USB-D-	pink	USB data line, negative (only needed for parameterisation)
10	Y-Axis Aux Out	blue	auxiliary output, Y axis
11	X-Axis Out+	orange	solenoid 1 for the X axis (max. 2.5 A)
12	X-Axis Out-	yellow	solenoid 2 for the X axis (max. 2.5 A)
13	Y-Axis Out+	black/white	solenoid 1 for the Y axis (max. 2.5 A)
14	Y-Axis Out-	grey	solenoid 2 for the Y axis (max. 2.5 A)
15	NC	red/white	unused

3.7 Parametrization

The joystick is parameterised via the USB port using the JDBUtility application.

The JDBUtility application and a guide for configuring the joystick can be obtained directly from Bucher Hydraulics.

4 Joystick digital FCE-...

4.1 Joystick digital FCE type 1



- Configurable grip
- Hall-sensor technology
- Reverse voltage protected

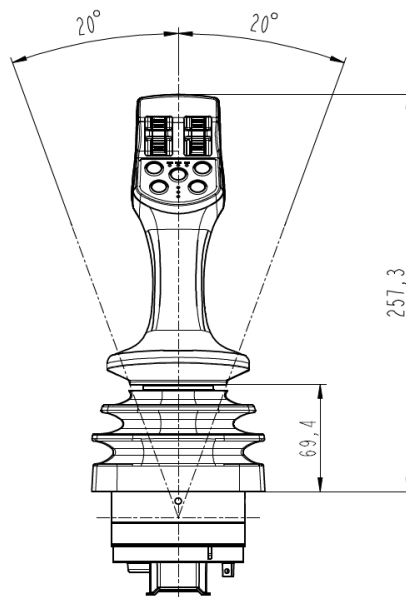
4.1.1 Description

The FCE type 1 joystick is a digital signal source for 4 axes. The operating principle is non-contacting with Hall sensor-technology.

4.1.2 Technical data

General characteristics	Unit	Value
Supply voltage	V DC	8...32 (for $U_N = 9\text{ V}$)
Temperature range	°C	-40...+85
Enclosure protection		IP 67
Weight	kg	3
Actuation angle	°	± 20
CAN protocol		CAN OPEN, 11 Bit Identifier
Plug connection	Deutsch 8 Pins (DT 0608SA)	

4.1.3 Dimension



4.1.4 Order informations

Description	Type	Ordering code
Joystick for 4 axes, without shifting gate, right handed version with 5 buttons and 3 thumbwheels	FCE*-MT5T0VVVMO125****03H	Assigned when the order is placed.
Joystick for 4 axes, without shifting gate, left handed version with 5 buttons and 3 thumbwheels	FCE2-MT5T0VVVMO125****03H	Assigned when the order is placed.

4.2 Joystick digital FCE type 2



- Spring centered
- Robust and compact design
- Reverse voltage protected

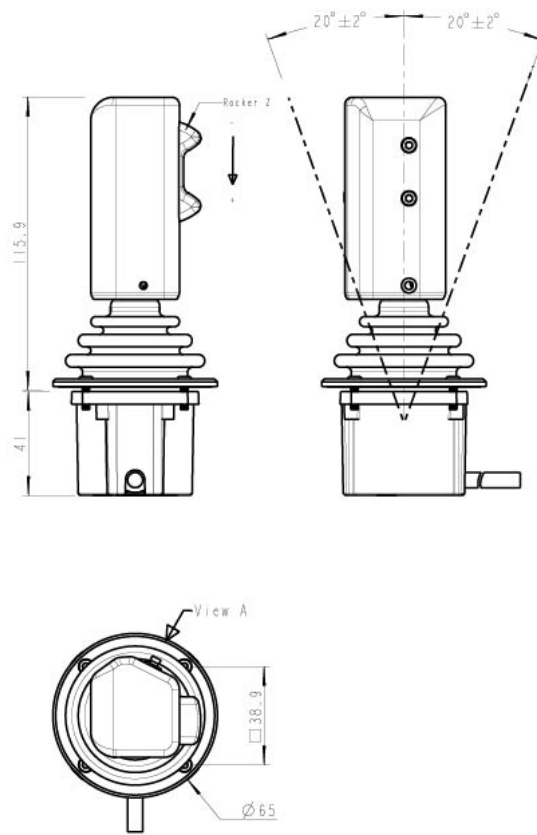
4.2.1 Description

The FCE type 2 joystick is a digital source for 3 axes. It is compact and robust. The handgrip is spring-centered.

4.2.2 Technical data

General characteristics	Unit	Value
Supply voltage	V DC	8...30 (for $U_N = 9\text{ V}$)
Temperature range	°C	-40...+85
Enclosure protection		IP 65
Weight	kg	2
Actuation angle	°	± 20
CAN protocol		CAN OPEN, 11 Bit Identifier
Plug connection		Cable 600 mm with plug M12

4.2.3 Dimensions



4.2.4 Order informations

Description	Type	Ordering code
Joystick for 3 axes, without shifting gate, right handed version with 5 buttons and a thumbwheel	FCE*-RT5T0VRXXO125***03H	Assigned when the order is placed.
Joystick for 3 axes, without shifting gate, left handed version with 5 buttons and a thumbwheel	FCE*-LT5T0VRXXO125***04H	Assigned when the order is placed.

4.3 Joystick digital FCE - Typ 3



- Spring centered
- Robust and compact design
- Reverse voltage protected

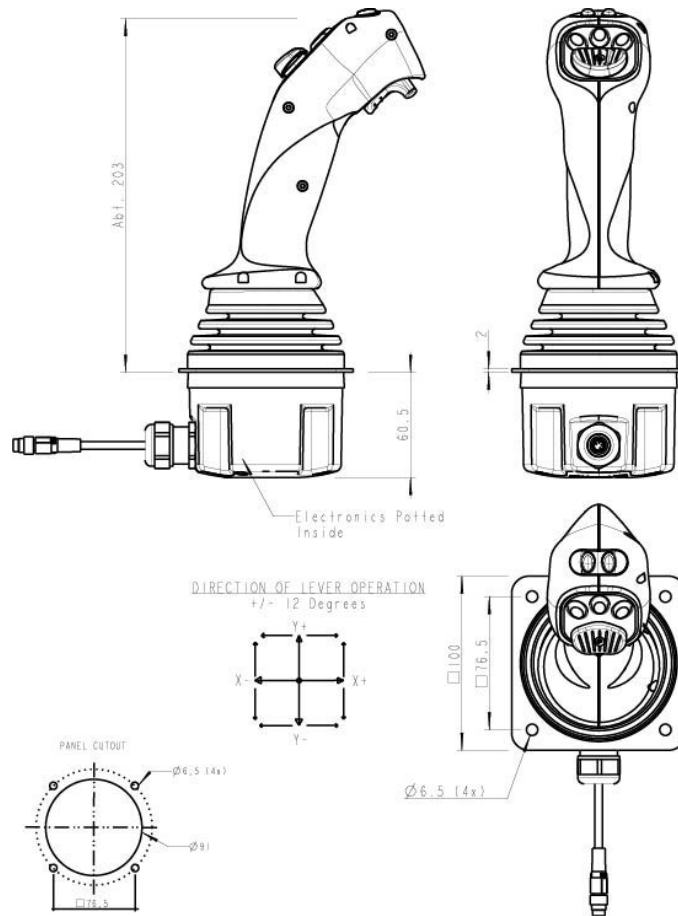
4.3.1 Description

The FCE type 3 joystick is a digital signal source for 4 axes. It is compact and robust. The handgrip is spring-centred.

4.3.2 Technical data

General characteristics	Unit	Value
Supply voltage	V DC	7...28 (for $U_N = 9\text{ V}$)
Temperature range	°C	-40...+85
Enclosure protection		IP 65
Weight	kg	2
Actuation angle	°	± 12
CAN protocol		CAN OPEN, 11 Bit Identifier
Plug connection		cable, 600 mm with M12 plug

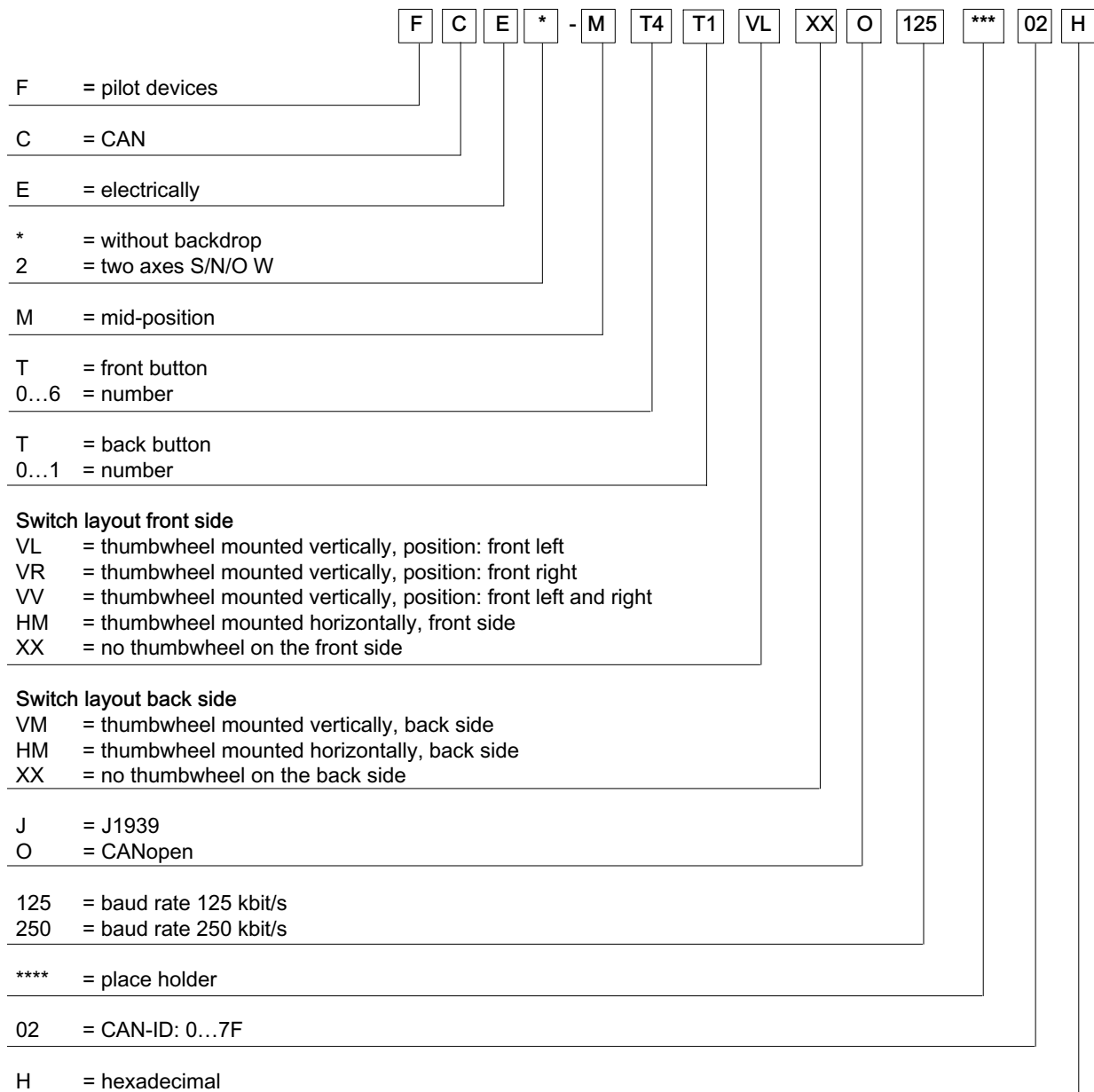
4.3.3 Dimensions



4.3.4 Order information

Decription	Type	Ordering code
Joystick for 4 axis, without shifting gate, with 5 buttons and 2 thumbwheels	FCE*-MT5T0HMVMO125***03H	Assigned when the order is placed.

4.3.5 Order information



info.kl@bucherhydraulics.com

www.bucherhydraulics.com

© 2023 by Bucher Hydraulics GmbH, D-79771 Klettgau

All rights reserved.

Data is provided for the purpose of product description only, and must not be construed as warranted characteristics in the legal sense. The information does not relieve users from the duty of conducting their own evaluations and tests. Because the products are subject to continual improvement, we reserve the right to amend the product specifications contained in this catalogue.

Classification: 470.710..